



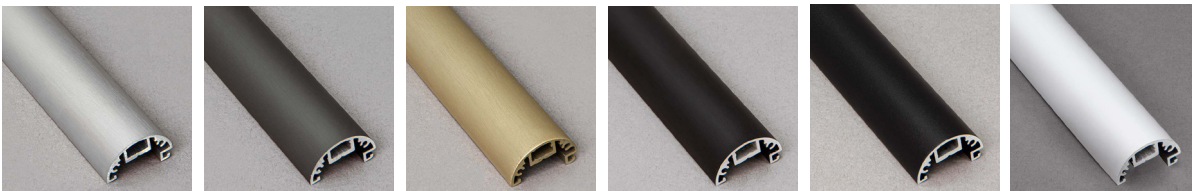
FORMATION STICK PENDANT

The core design is a set of interlocking extruded aluminium profiles. The light source is high-powered LEDs with a matte polycarbonate diffuser. The Stick Pendant has been pared down to the most simple form, with every detail taken into consideration.

SPECIFICATIONS

WARRANTY	12 Months	LIGHT SOURCE	24V warm white (3000K) LED
MOUNTING	Ceiling	VOLTAGE	24V
WEIGHT	2.5kg	POWER	39W
ENVIRONMENT	Indoor	CORD	Black fabric covered
MATERIALS	ANNODISED / POWDER COATED: ALUMINIUM MATTE WHITE POLYCARBONATE DIFFUSER.	SUPPLY INCLUDED	Yes -240V (AUS/NZ) / 120V(US) to 24V
		LED LUMEN	2300 LM per metre

BODY FINISH OPTIONS



BRUSHED SILVER
ANODISED

DEEP SEA
ANODISED

BRUSHED GOLD
ANODISED

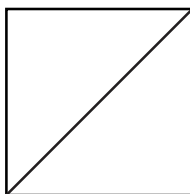
BRUSHED BLACK
ANODISED

POWDER-COAT
BLACK

POWDER-COAT
WHITE



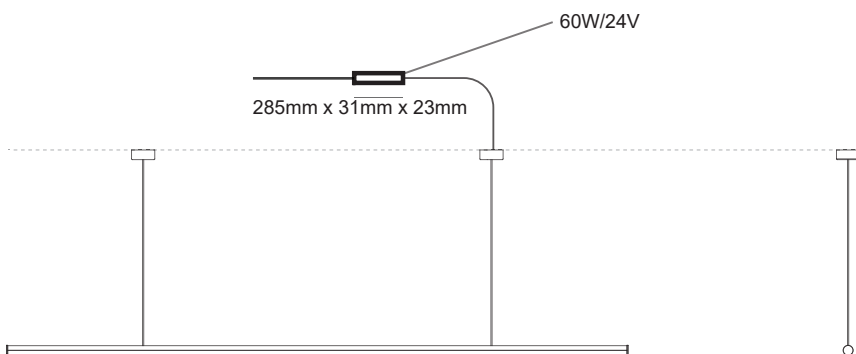
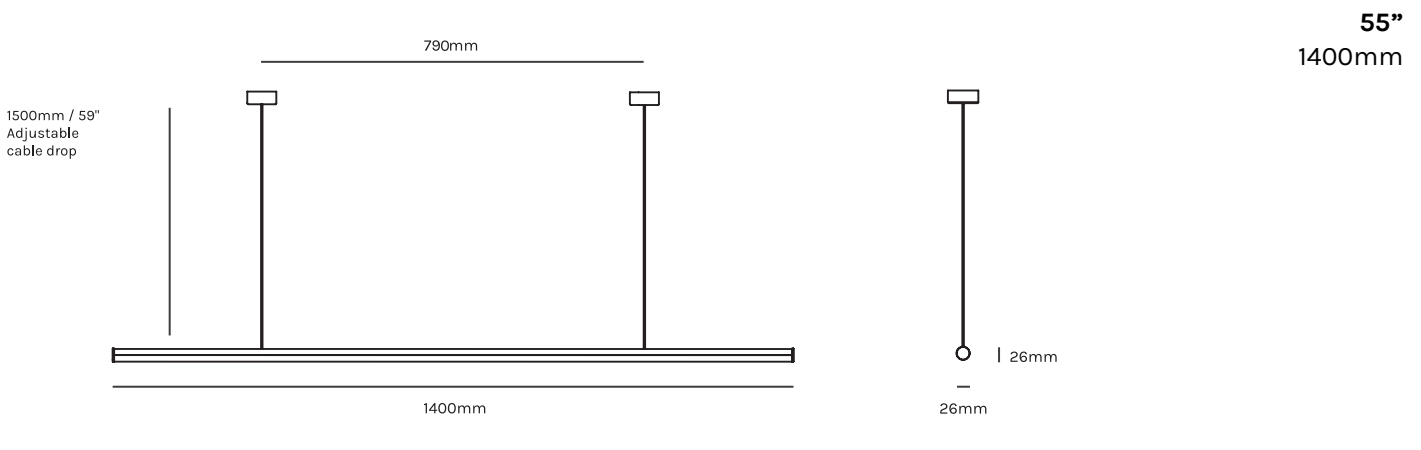
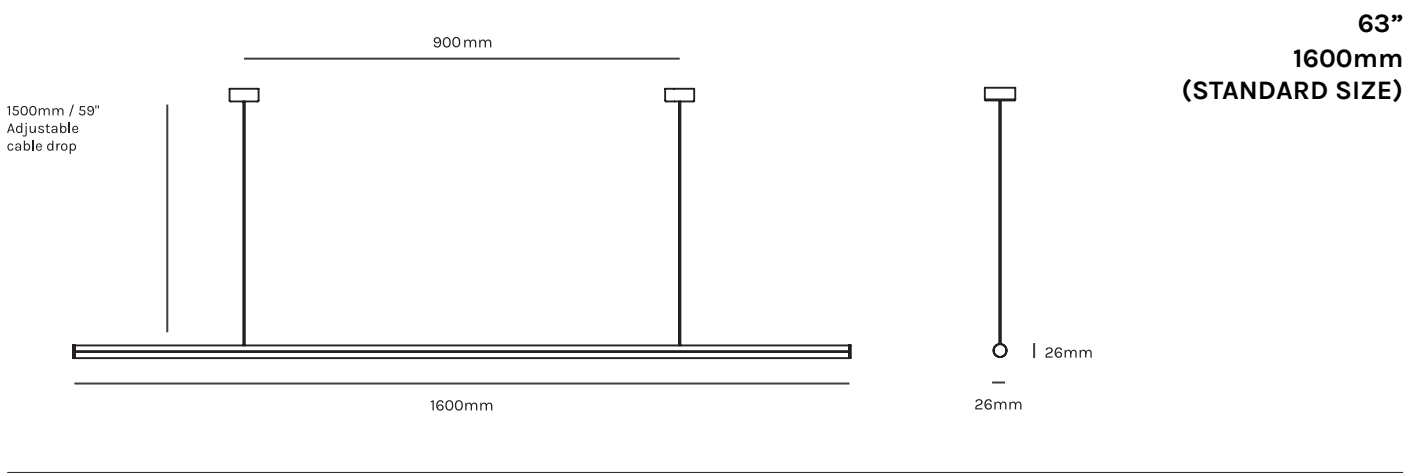
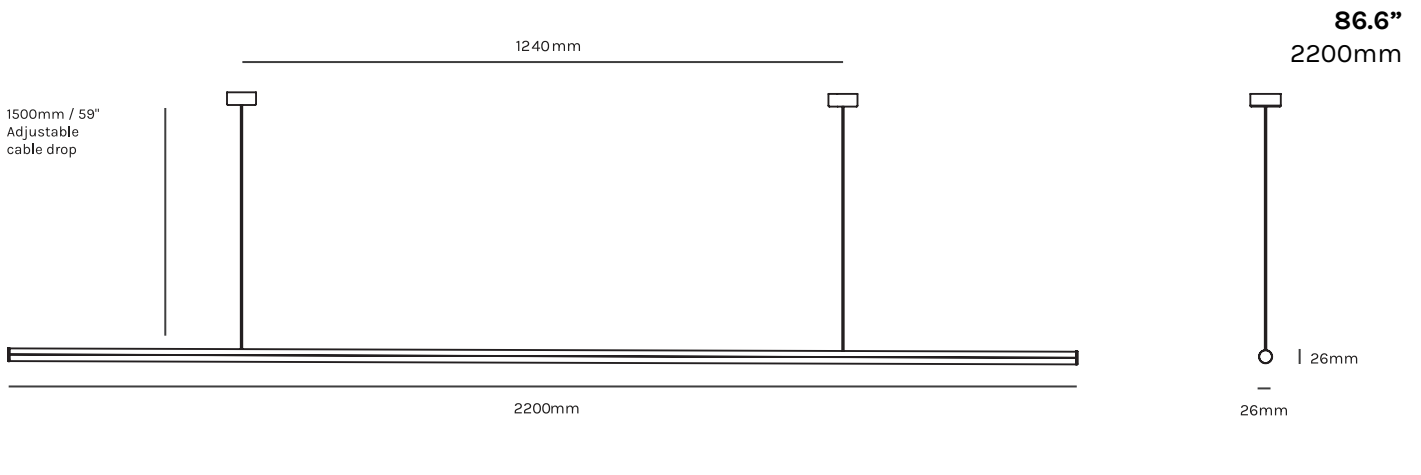
BRUSHED
ALUMINIUM



CUSTOM
FINISH

B-TD

SIZING OPTIONS

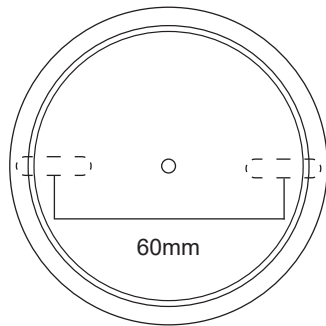


INSTALLATION

Driver stored in ceiling cavity

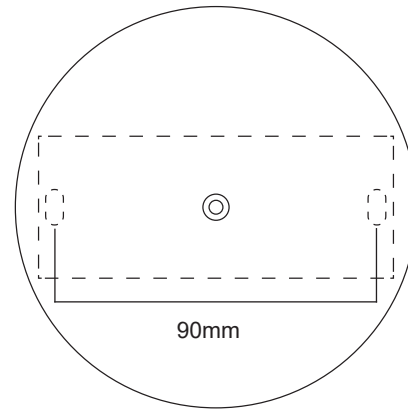
CANOPY SPECIFICATIONS

Seamless Canopy
(Standard)



80mm
(3 Inch)

Large Canopy
Option for US orders



125mm
(5 Inch)

SEAMLESS CANOPY



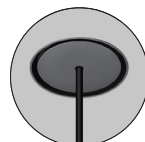
80mm
(3 Inch)

INSTALLATION STYLE

Surface



Flush Mount

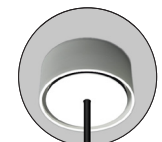


COLOUR

Black



White



STANDARD US CANOPY

(Fits 4" US Octagon Junction Box)



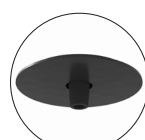
120mm
(5 Inch)

INSTALLATION STYLE

Surface



Flush Mount



COLOUR

Black



White

