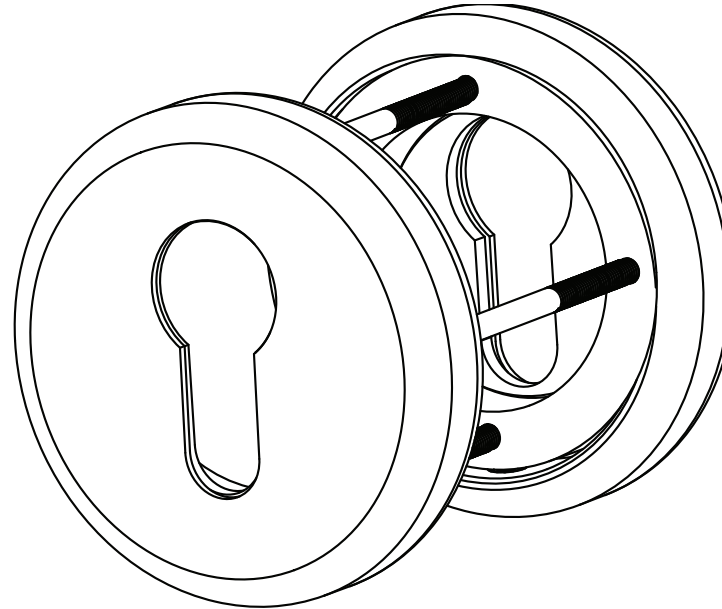


Escutcheon

D2 11/32 x P 17/32" | D60 x P 13.5mm

Install Instructions

Bankston
YSG



[Drill
Template](#)



[Finishes &
Materials](#)



[FAQs &
Warranty](#)



[Resources](#)

bankston.com

[@bankston_architectural](https://www.instagram.com/bankston_architectural)



Bankston Australia
14-16 Stepney Street
Stepney, South Australia 5069

P. +61 (0)8 8362 1133
E. info@bankstonarchitectural.com.au

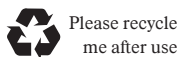
Bankston New Zealand
P. +64 (0)6 359 0008
E. info@bankstonarchitectural.co.nz

Bankston International
E. info@bankston.com

**SDG Trading Pty Ltd trading
as Bankston Architectural**

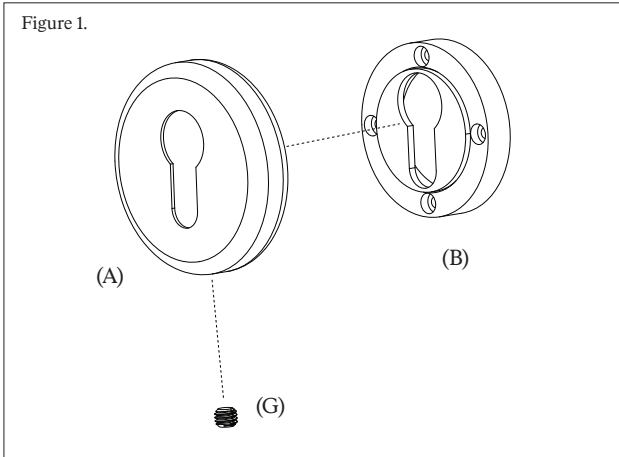
ACN 008 154 041
ABN 18 008 154 041

*Image used for illustration
purposes only



COMPI458

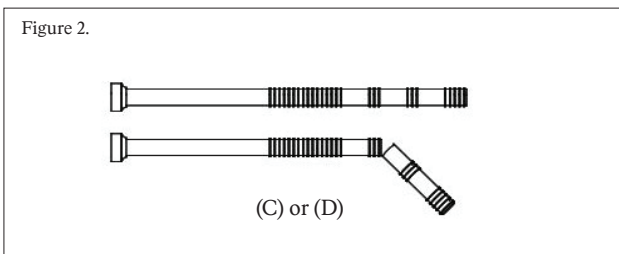
1. Unscrew the grub screw (G). Separate the outer rose (A) and inner rose (B). Figure 1.



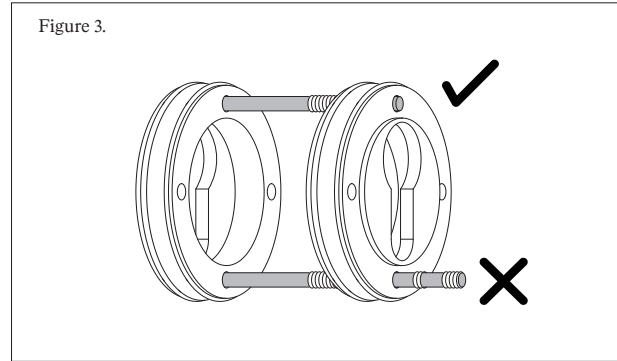
2. Install your euro lock (purchased separately). Refer to supplier instructions. We recommend placing your euro cylinder in the lock body and marking up all the drill holes accordingly.
*Template available online if required.



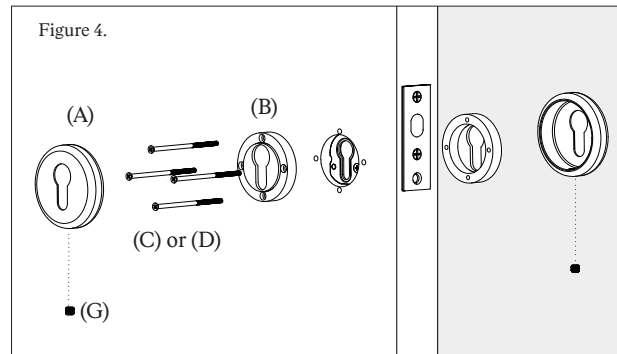
3. Drill the pilot holes from both sides of the door if using wood screws (E).
4. Drill through holes from both sides of the door if using connector bolts (C or D).
5. If using wood screws (E) proceed to step 9.
6. If using connector bolts (C or D) shorten if required to suit the door thickness. Figure 2.



7. Ensure to cut so the connector bolt (C or D) does not protrude from the opposite rose once installed. Figure 3.



8. Insert two of the connector bolts (C or D) through the inner rose (B) at 3 o'clock and 9 o'clock, screwing them into the opposite side inner rose (B). Repeat at 12 o'clock and 6 o'clock if your lock allows.
OR
9. Affix inner rose with wood screws (E) at all fixing points on both sides of the door.
10. Place the outer rose (A) over the inner rose (B) and secure with the grub screw (G) from below using the Allen key (F) provided on both sides of the door. Figure 4.



Included

- (A) Outer rose x 2
- (B) Escutcheon inner rose x 2
- (C) Connector bolts L65mm x 4
- (D) Connector bolts L100mm x 4
- (E) Wood screw x 9
- (F) Allen key x 1
- (G) Grub screw x 3

