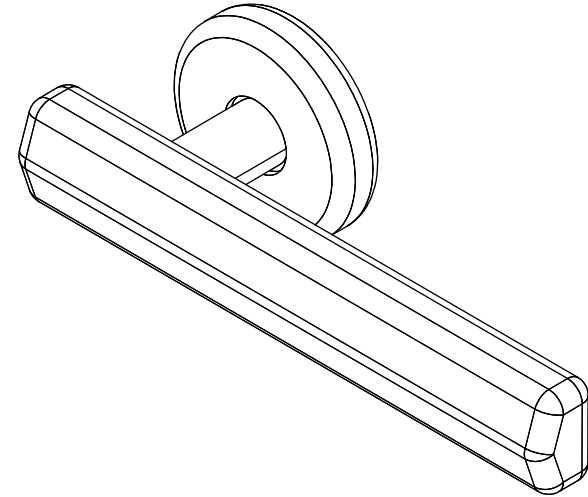
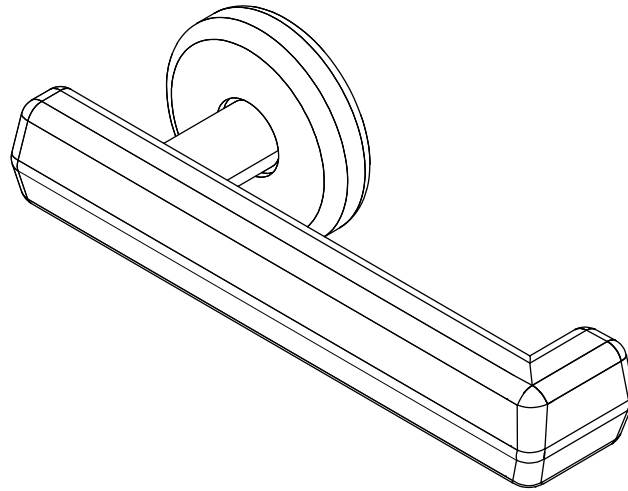


# Straight Streaker & Return Lever on Rose

L7 1/16 x P2 7/16" | L180 x P62mm

## Install Instructions

Bankston YSG



Drill Template



Finishes & Materials



FAQs & Warranty



Resources

bankston.com

@bankston\_architectural



**Bankston Australia**  
14-16 Stepney Street  
Stepney, South Australia 5069

P. +61 (0)8 8362 1133  
E. info@bankstonarchitectural.com.au

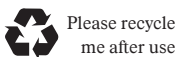
**Bankston New Zealand**  
P. +64 (0)6 359 0008  
E. info@bankstonarchitectural.co.nz

**Bankston International**  
E. info@bankston.com

**SDG Trading Pty Ltd trading as Bankston Architectural**

ACN 008 154 041  
ABN 18 008 154 041

\*Image used for illustration purposes only

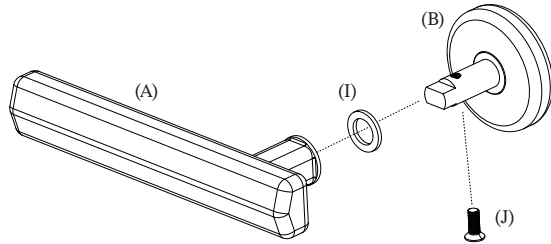


9 343857 442786

COMP460

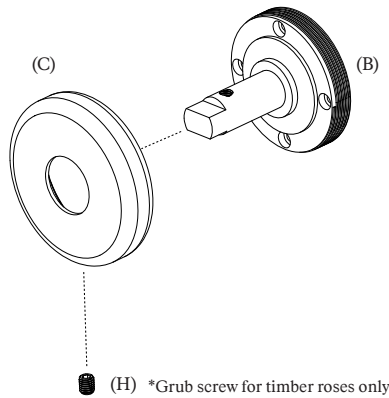
1. Remove the lever screw (J) from the neck of the lever (A) to separate the lever from the inner rose (B). Place the nylon washer (I) aside for assembly later. Figure 1.

Figure 1.



2. Remove the grub screw (H) to separate the outer rose (C) and inner rose (B) for timber rose OR unscrew the inner and outer rose for bronze rose. Figure 2.

Figure 2.



3. Install your latch, lock or privacy mechanism (sold separately). Refer to supplier instructions.

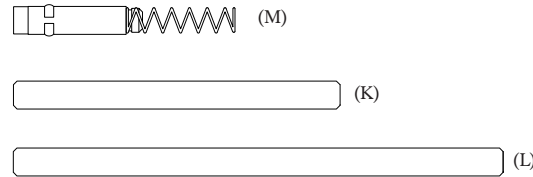


\*Template available online if required.

4. Drill the centre spindle hole using a 22mm or 7/8" diameter spade bit from both sides of the door.
5. If using wood screws (F), drill up to 8 pilot holes (depending on your lock/latch) from both sides of the door.

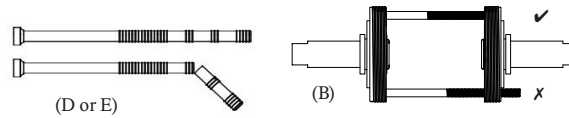
6. Place the spindle (K or L) through the lock body from either side of the door. Ensure to cut your spindle to the required length if needed. Figure 3. We recommend using the standard spindles (K or L) in most applications. Split spindles (M) allow each lever to retract independently and are supplied for use in the event your latch is not operating smoothly because of misalignment during installation.

Figure 3.



7. If using connector bolts (D or E) shorten as required to suit door thickness. Ensure to cut so that the bolt does not protrude from the opposite rose once installed. Figure 4.

Figure 4.



8. If using connector bolts (D or E) enlarge the 8 pilot holes to suit the connector bolts (D or E) by drilling D5mm or 3/16" holes. Refer to point 6 for adding the spindle. Place the inner rose (B) over the spindle (K or L) on both sides of the door and fix with either connector bolts (D or E) Figure 5, or wood screws (F) Figure 6, at all fixing points.

\*Ensuring inner rose (B) is on the correct side of the door to ensure lever functionality.

Figure 5.

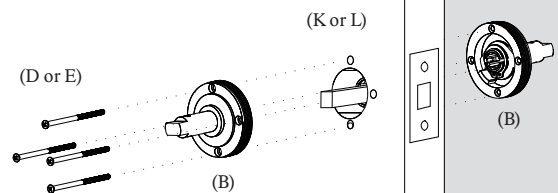
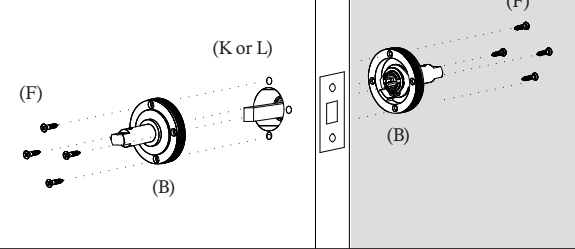
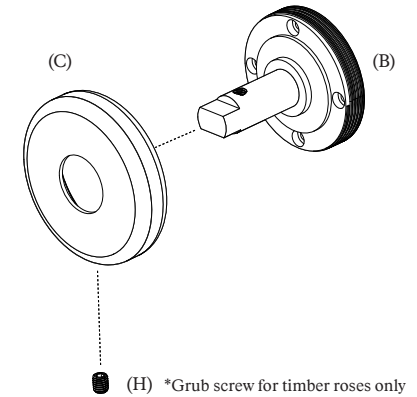


Figure 6.



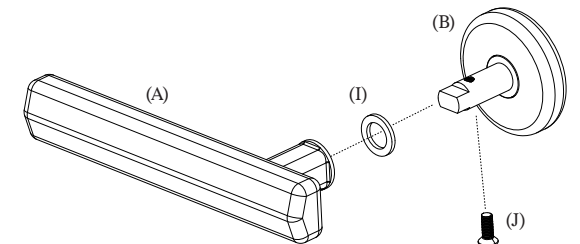
9. Place the outer rose cover (C) over the inner rose (B) and fix with grub screws (H) for all timber roses. For bronze rose screw the outer rose onto the inner rose on both sides of the door. Figure 7.

Figure 7.



10. Slide the nylon washer (I) over the neck of the inner rose (B) then place the lever (A) over the neck and fix with lever screws provided (J). Figure 8.

Figure 8.



Included

- (A) Lever LH & lever RH x 1
- (B) Inner rose x 2
- (C) Outer rose x 2
- (D) Connector bolts L65mm x 4
- (E) Connector bolts L100mm x 4
- (F) Wood screws x 9
- (G) \*Allen key x 1
- (H) \*Grub screw x 3
- (I) Nylon washer x 3
- (J) Lever screw x 3
- (K) Spindle L100mm x 1
- (L) Spindle L150mm x 1
- (M) Sprung spindle x 2

\*Grub screws and Allen Key supplied with timber roses only

