

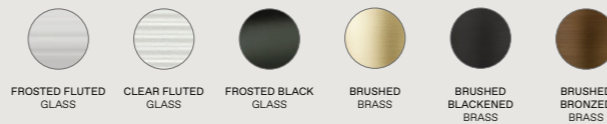


VOLANT 33

CHANDELIER

Volant is a modern chandelier that's almost akin to a kinetic sculpture. A static lamp with a mystifying ability to appear in motion. Solid brass bars are home to textured, tubular formed glass elements, angled to give the impression of floating objects revolving around each other. The result is an elegant equilibrium that's at once enthralling yet soothing.

AVAILABLE FINISHES



FROSTED FLUTED GLASS

CLEAR FLUTED GLASS

FROSTED BLACK GLASS

BRUSHED BRASS

BRUSHED BLACKENED BRASS

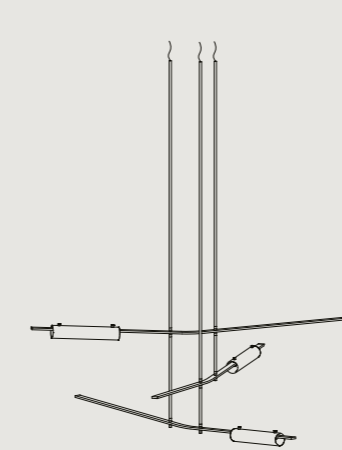
BRUSHED BRONZED BRASS

TECHNICAL

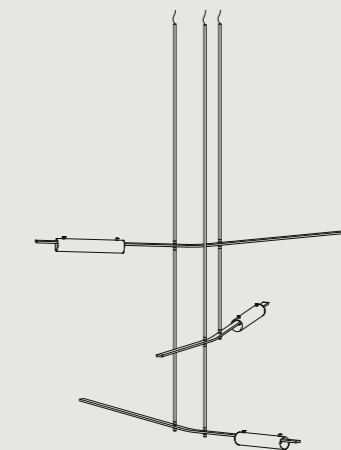
MATERIAL	TREATED BRASS, GLASS
FINISH	ALL BRASS FRAMES ARE BRUSHED AND TREATED TO ACHIEVE THE AVAILABLE FINISH OPTIONS, THEN SEALED TO PREVENT ACCELERATED AGING.
LAMPING	SELV 60V (EXTERNAL DRIVER SUPPLIED) VC333S - 13.2W, 2700K VC333L - 13.2W, 2700K WATTAGE AND LUMEN OUTPUT WILL VARY SLIGHTLY DEPENDING ON CONSTANT CURRENT OUTPUT. LUMEN OUTPUT PER SHADE CLEAR FLUTED - 650LM FROSTED FLUTED - 450LM FROSTED BLACK - 150LM
DIMMING OPTIONS	220-240V REGION PHASE - DIMMING RANGE 5 - 100% DALI - DIMMING RANGE 1 - 100% 110-120V REGION PHASE - DIMMING RANGE 3 - 100% DALI - DIMMING RANGE 0.1 - 100%
	ALL US AND CANADIAN ORDERS COME SUPPLIED WITH 120V COMPONENTRY CERTIFIED FOR USE IN THESE REGIONS. FOR OPTIMAL DIMMING PERFORMANCE WE RECOMMEND SOURCING A DIMMER CAPABLE OF SETTING THE DIMMING RANGE OF THE FIXTURE.
DRIVER SIZE	220 -240V PHASE / TRIAC ALL VC 33 - L101 X W51 X H29 / L4" X W2" X H1.1" DALI ALL VC 33 - L120 X W51 X H29 / L4.7" X W2" X H1.1" 110-120V PHASE / TRIAC ALL VC 33 - L75 X W35 X H26.5 / L3" X W1.4" X H1" DALI ALL VC33 - L75 X W35 X H26.5 / L3" X W1.4" X H1"

LED LIFESPAN	50,000 HRS
IP RATING	IP20 - FOR INDOOR USE ONLY
CERTIFICATION	AU/NZ AS/NZS 60598.1, 60598.2.1 EU EN 60598.1, 60598.2.1 US/CAN ETL/UL 1598, CSA C22.2#250.0
CANOPY	VARIOUS - SEE CANOPY OPTIONS ON FOLLOWING PAGE
SKU CODES	EG. VC333S.G-CFL.BR-BRZ VOLANT 333S CHANDELIER IN CLEAR FLUTED GLASS WITH A BRUSHED BRONZED BRASS FRAME VC333S.G-XXX.BR-XXX VOLANT 333S CHANDELIER VC333L.G-XXX.BR-XXX VOLANT 333L CHANDELIER
FINISHES GLASS	FROSTED BLACK (G-FBL) CLEAR FLUTED (G-CFL) FROSTED FLUTED (G-FFL)
FRAME	BRUSHED BRASS (BR-NAT) BRUSHED BLACKENED BRASS (BR-BLK) BRUSHED BRONZED BRASS (BR-BRZ)
WEIGHT	VC333S 21KG / 46LB VC333L 22KG / 48LB
PACKAGING WEIGHT	VC333S 1 X 16KG / 35LB, 1 X 9KG / 20LB 1 X 3KG / 6.6LB VC333L 1 X 16.5KG / 36.5LB, 1 X 9.5KG / 21LB 1 X 3KG / 6.6LB
PACKAGING SIZE	VC333S 2 X L 1920 W 370 H 190 / L 75.6" W 14.6" H 8" 1 X L 500 W 500 H 250 / L 19.7" W 19.7" H 10" VC333L 2 X L 1920 W 370 H 190 / L 75.6" W 14.6" H 8" 1 X L 500 W 500 H 250 / L 19.7" W 19.7" H 10"

DIMENSIONS



VC333S
L 1790 W 1570 H 600
L 70.5" W 61.8" H 23.6"
MIN DROP HEIGHT - H 790 / 31.1"



VC333L
L 1790 W 1570 H 1100
L 70.5" W 61.8" H 43.3"
MIN DROP HEIGHT - H 1290 / 50.8"

*HANG HEIGHT NEEDS TO BE CONFIRMED PRIOR TO PRODUCTION, TOLERANCE IS +/- 25MM
*POWER ACCESS POINT REQUIRED AT CENTRE OF CEILING CANOPY.

AVAILABLE CANOPIES

ALL ROSS GARDAM CEILING MOUNTED FIXTURES COME SUPPLIED WITH A CEILING CANOPY UNLESS OTHERWISE SPECIFIED. EACH CANOPY INCLUDES ELECTRICAL CONNECTORS, EARTH WIRE AND CABLE RETENTION TO CONNECT TO MAINS POWER. THE BELOW IMAGES DEPICT THE CEILING CANOPIES AVAILABLE WITH EACH FIXTURE TYPE. IF NO CANOPY IS SELECTED THE CIRCULAR CANOPY WILL BE SUPPLIED.

CIRCULAR (VC333)



CIRCULAR
FIXED CANOPY
CAN.VC.CIR.X-XXX
Ø480 X 37MM / 18.9" X 1.5"
DRIVER HOUSED IN CANOPY



CIRCULAR
FIXED SWIVEL CANOPY
CAN.VC.CIR.SW.X-XXX
VARIES PER ORDER
DRIVER HOUSED IN CANOPY

INDIVIDUAL CANOPY



SLIM
Ø14MM FIXED CANOPY
CAN.SL.F14.X-XXX
Ø120 X 7MM / 4.7" X 0.3"
DRIVER HOUSED IN CEILING



SLIM
Ø14MM FIXED SWIVEL CANOPY
CAN.SL.F14.SW.X-XXX
Ø120 X 7MM / 4.7" X 0.3"
DRIVER HOUSED IN CEILING



PUCK
Ø14MM FIXED CANOPY
CAN.PK.F14.X-XXX
Ø50 X 65MM / 2" X 2.6"
DRIVER HOUSED IN CEILING
*US/CAN ORDERS TO BE
INSTALLED WITH SUPPLIED
JUNCTION BOX RENDER
MOUNTING PLATE



PUCK
Ø14MM FIXED SWIVEL CANOPY
CAN.PK.F14.SW.X-XXX
Ø50 X 65MM / 2" X 2.6"
DRIVER HOUSED IN CEILING
*US/CAN ORDERS TO BE
INSTALLED WITH SUPPLIED
JUNCTION BOX RENDER
MOUNTING PLATE

TECHNICAL

MATERIAL TREATED BRASS / POWDER COATED STEEL



BRUSHED BRASS
BRUSHED BLACKENED BRASS
BRUSHED BRONZED BRASS
WHITE POWDERCOATED

CANOPIES FINISH
BRUSHED BRASS (BR-NAT)
BRUSHED BLACKENED BRASS (BR-BLK)
BRUSHED BRONZED BRASS (BR-BRZ)
POWDERCOATED WHITE (C-WHT) (CIRCULAR CANOPIES ONLY)

SKU CODES
EG. CAN.VC.CIR.SW.BR-NAT =
CIRCULAR FIXED SWIVEL CANOPY IN BRUSHED BRASS FINISH