

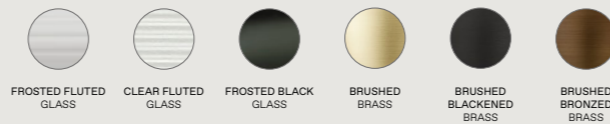


## VOLANT 55 & 66

CHANDELIER

Volant is a modern chandelier that's almost akin to a kinetic sculpture. A static lamp with a mystifying ability to appear in motion. Solid brass bars are home to textured, tubular formed glass elements, angled to give the impression of floating objects revolving around each other. The result is an elegant equilibrium that's at once enthralling yet soothing.

### AVAILABLE FINISHES

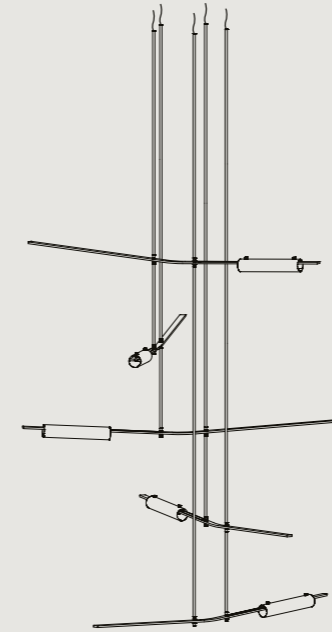


### TECHNICAL

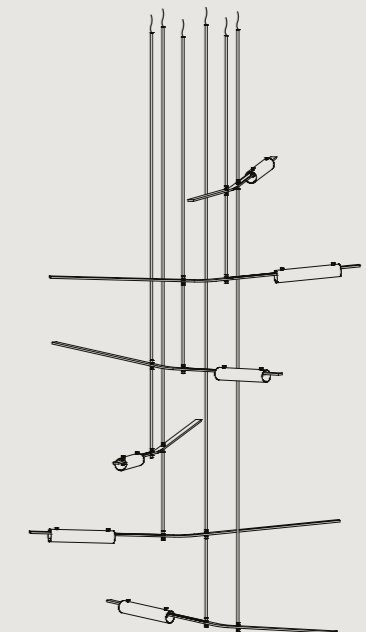
MATERIAL	TREATED BRASS, GLASS
FINISH	ALL BRASS FRAMES ARE BRUSHED AND TREATED TO ACHIEVE THE AVAILABLE FINISH OPTIONS, THEN SEALED TO PREVENT ACCELERATED AGING.
LAMPING	SELV 60V (EXTERNAL DRIVER SUPPLIED) VC555 - 22W, 3050-3550 LM, 2700K VC666 - 26.4W, 3660-4020 LM, 2700K WATTAGE AND LUMEN OUTPUT WILL VARY SLIGHTLY DEPENDING ON CONSTANT CURRENT OUTPUT.  LUMEN OUTPUT PER SHADE CLEAR FLUTED - 650LM    FROSTED FLUTED - 450LM FROSTED BLACK - 150LM
DIMMING OPTIONS	220-240V REGION PHASE - DIMMING RANGE 5 - 100% DALI - DIMMING RANGE 1 - 100%  110-120V REGION PHASE - DIMMING RANGE 3 - 100% DALI - DIMMING RANGE 0.1 - 100%  ALL US AND CANADIAN ORDERS COME SUPPLIED WITH 120V COMPONENTRY CERTIFIED FOR USE IN THESE REGIONS.  FOR OPTIMAL DIMMING PERFORMANCE WE RECOMMEND SOURCING A DIMMER CAPABLE OF SETTING THE DIMMING RANGE OF THE FIXTURE.
DRIVER SIZE	220 -240V PHASE / TRIAC ALL VC 55 & 66 - L101 X W51 X H29 / L4.7" X W2.2" X H1.1"  DALI ALL VC 55 & 66 - L120 X W51 X H29 / L4.7" X W2.2" / X H1.1"  110-120V PHASE / TRIAC ALL VC 55 & 66 - L75 X W35 X H26.5 / L3" X W1.4" X H1"  DALI ALL VC 55 & 66 - L75 X W35 X H26.5 / L3" X W1.4" X H1"

LED LIFESPAN	50,000 HRS
IP RATING	IP20 - FOR INDOOR USE ONLY
CERTIFICATION	AU/NZ AS/NZS 60598.1, 60598.2.1 EU EN 60598.1, 60598.2.1 US/CAN ETL/UL 1598, CSA C22.2#250.0
CANOPY	VARIOUS - SEE CANOPY OPTIONS ON FOLLOWING PAGE
SKU CODES	EG. VC666.G-CFL-BR-BRZ VOLANT 666 CHANDELIER IN CLEAR FLUTED GLASS WITH A BRUSHED BRONZED BRASS FRAME  VC555.G-XXX.BR-XXX VOLANT 555 CHANDELIER VC666.G-XXX.BR-XXX VOLANT 666 CHANDELIER
FINISHES	GLASS FROSTED BLACK (G-FBL) CLEAR FLUTED (G-CFL) FROSTED FLUTED (G-FFL)
FRAME	BRUSHED BRASS (BR-NAT) BRUSHED BLACKENED BRASS (BR-BLK) BRUSHED BRONZED BRASS (BR-BRZ)
PRODUCT WEIGHT	VC555 35KG / 77LB VC666 42KG / 93LB
PACKAGING DIMENSIONS	VC555 3 X L 1920 W 370 H 190 / L 75.6" W 14.6" H 8" 1 X L 500 W 500 H 250 / L 19.7" W 19.7" H 10" VC666 3 X L 1920 W 370 H 190 / L 75.6" W 14.6" H 8" 1 X L 500 W 500 H 250 / L 19.7" W 19.7" H 10"
PACKAGING WEIGHT	VC555 2 X 16KG / 35LB, 1 X 9KG / 20LB, 1 X 3KG / 6.6LB VC666 3 X 16.5KG / 36.5LB, 1 X 3KG / 6.6LB

### DIMENSIONS



VC555  
L 1790 W 1720 H 2090  
L 70.5" W 67.7" H 82.3"  
MIN DROP HEIGHT - H 2590 / 102"



VC666  
L 1790 W 1790 H 2580  
L 70.5" W 70.5" H 101.6"  
MIN DROP HEIGHT - H 3080 / 121.3"

\*HANG HEIGHT NEEDS TO BE CONFIRMED PRIOR TO PRODUCTION, TOLERANCE IS +/- 25MM  
\*POWER ACCESS POINT REQUIRED AT CENTRE OF CEILING CANOPY.

## AVAILABLE CANOPIES

ALL ROSS GARDAM CEILING MOUNTED FIXTURES COME SUPPLIED WITH A CEILING CANOPY UNLESS OTHERWISE SPECIFIED. EACH CANOPY INCLUDES ELECTRICAL CONNECTORS, EARTH WIRE AND CABLE RETENTION TO CONNECT TO MAINS POWER. THE BELOW IMAGES DEPICT THE CEILING CANOPIES AVAILABLE WITH EACH FIXTURE TYPE. IF NO CANOPY IS SELECTED THE CIRCULAR CANOPY WILL BE SUPPLIED.

## CIRCULAR



CIRCULAR  
FIXED CANOPY  
CAN.VC.CIR.X-XXX

Ø600 X 37MM / 23.6" X 1.5"

DRIVER HOUSED IN CANOPY



CIRCULAR  
FIXED SWIVEL CANOPY  
CAN.VC.CIR.SW.X-XXX

Ø600 X 37MM / 23.6" X 1.5"

DRIVER HOUSED IN CANOPY

## INDIVIDUAL CANOPY



SLIM  
Ø14MM FIXED CANOPY  
CAN.SL.F14.X-XXX

Ø120 X 7MM / 4.7" X 0.3"

DRIVER HOUSED IN CEILING



SLIM  
Ø14MM FIXED SWIVEL CANOPY  
CAN.SL.F14.SW.X-XXX

Ø120 X 7MM / 4.7" X 0.3"

DRIVER HOUSED IN CEILING



PUCK  
Ø14MM FIXED CANOPY  
CAN.PK.F14.X-XXX

Ø50 X 65MM / 2" X 2.6"

DRIVER HOUSED IN CEILING  
\*US/CAN ORDERS TO BE  
INSTALLED WITH SUPPLIED  
JUNCTION BOX RENDER  
MOUNTING PLATE



PUCK  
Ø14MM FIXED SWIVEL CANOPY  
CAN.PK.F14.SW.X-XXX

Ø50 X 65MM / 2" X 2.6"

DRIVER HOUSED IN CEILING  
\*US/CAN ORDERS TO BE  
INSTALLED WITH SUPPLIED  
JUNCTION BOX RENDER  
MOUNTING PLATE

## TECHNICAL

MATERIAL TREATED BRASS / POWDER COATED STEEL



BRUSHED  
BRASS



BRUSHED  
BLACKENED  
BRASS



BRUSHED  
BRONZED  
BRASS



WHITE  
POWDERCOATED

CANOPIE FINISH  
BRUSHED BRASS (BR-NAT)  
BRUSHED BLACKENED BRASS (BR-BLK)  
BRUSHED BRONZED BRASS (BR-BRZ)  
POWDERCOATED WHITE (C-WHT) (CIRCULAR CANOPIES ONLY)

SKU CODES  
EG. CAN.VC.CIR.SW.BR-NAT =  
CIRCULAR FIXED SWIVEL CANOPY IN BRUSHED BRASS FINISH