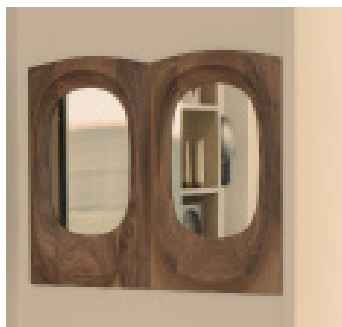


## BRODZKI MIRROR



### OVERALL DIMENSIONS

#### I. 530MM

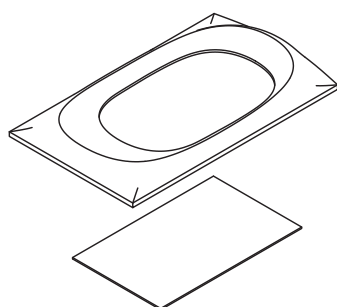
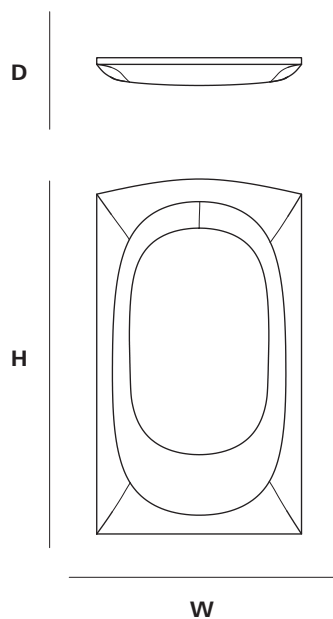
H 530MM x D 42MM x W 307MM  
H 20.98IN x D 1.65IN x W 12.08IN

#### II. 730MM

H 730MM x D 42MM x W 420MM  
H 28.74IN x D 1.65IN x W 16.53IN

#### III. 1700

H 1,700MM x W 800MM x D 42MM  
H 66.92IN x W 31.49IN x D 1.65IN



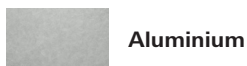
## MATERIALS

### I. TIMBER



Walnut

### II. METAL



Aluminium



Bronze

### WEIGHT

#### I. Walnut

530MM (2,100g / 74.04oz)  
730MM (3,000g / 105.82oz)  
1700MM (8,000g / 282.20oz)

#### II. Aluminium

530MM (5,000g / 176.136oz)

#### III. Bronze

530MM (8,000g / 282.191oz)

## CLEANING INSTRUCTIONS

### I. TIMBER

The carved timber frame is polished and matte-sealed using Danish oil, which nourishes the timber, enhances its grain and protects the surface from dirt and staining. Wipe dry with a clean cloth if necessary.

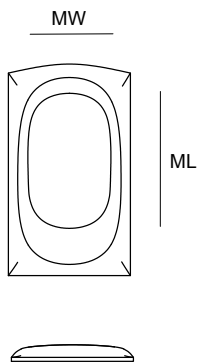
### II. METAL

The metal used for our range oxidise with age and environment, both of which contribute to the evolution of a natural patina. If you favour the original bright finish of your pieces, this is easily restored by use of polishing solution - we recommend Braso or Silvo depending on the metal in question - applied with a soft, clean cloth.

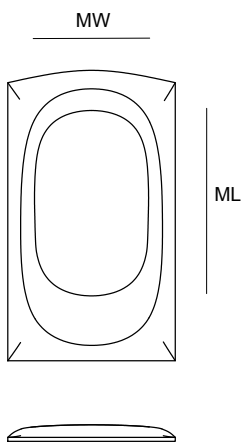
Because each object is cast in small batches, slight variations will occur from one individual piece to another. Production marks may include slight pour ripples or surface pitting, which imprint every item with a unique character.

**BRODZKI MIRROR GLASS DIMENSION**

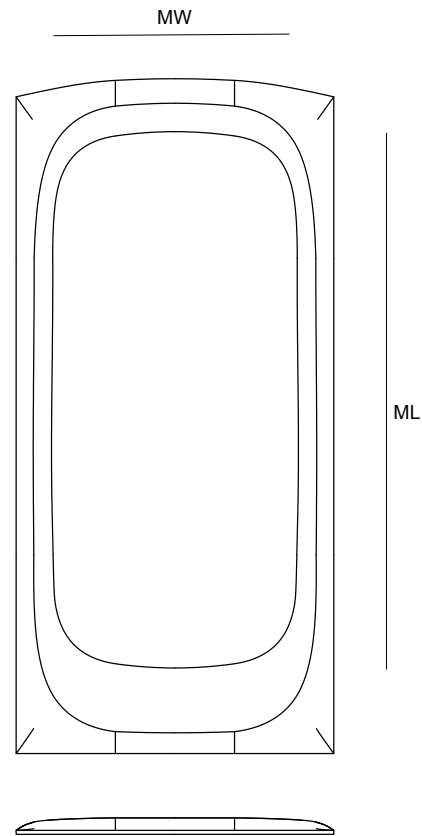
Brodzki 530mm  
MW (Mirror Width): 209mm  
ML (Mirror Length): 340mm



Brodzki 730mm  
MW (Mirror Width): 287mm  
ML (Mirror Length): 466mm



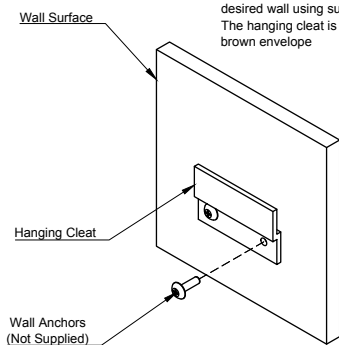
Brodzki 1700mm  
MW (Mirror Width): 622mm  
ML (Mirror Length): 1350mm



# BRODZKI MIRROR MOUNTING INSTRUCTION

## Step 1

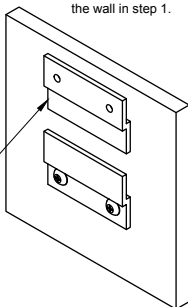
Fix the supplied hanging cleat into the desired wall using suitable wall anchors. The hanging cleat is supplied in a small brown envelope



## Step 2

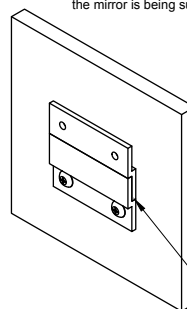
Align the hanging cleat that is already fixed on the mirror with the cleat mounted onto the wall in step 1.

Cleat that is already mounted on Brodzki Mirror



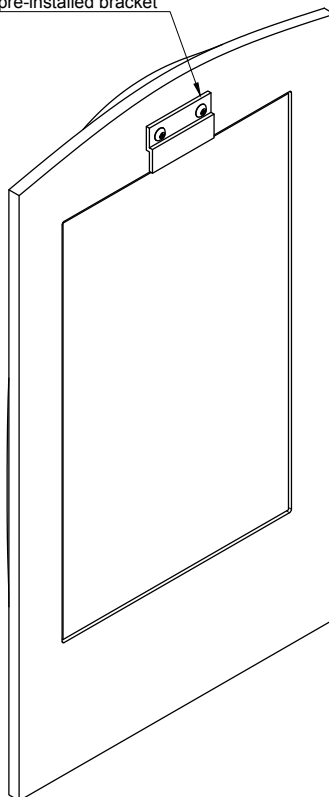
## Step 3

Slowly lower the mirror until you can feel the cleats engage and the mirror is being supported



Cleats engage when they are interlocked as shown

Brodzki Mirror is supplied with a pre-installed bracket



Back Isometric View